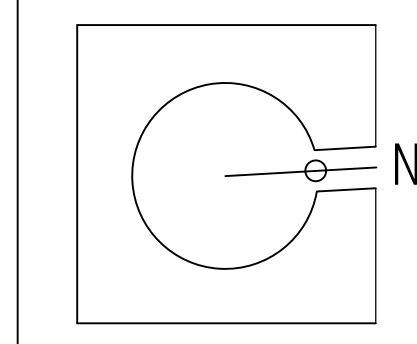




GROUND FLOOR PLAN

PROPOSED BUNGALOW PLANNING ON
B.NO.-139/3/2, MOJE-ORMA

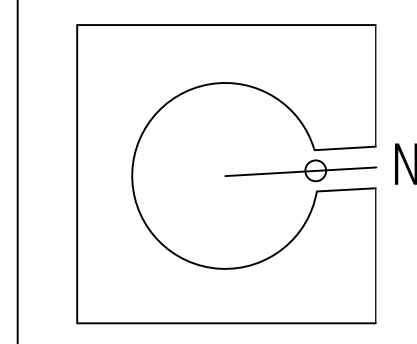


PLOT NO.	
FLOOR:	GROUND. FL.
BUILDING TYPE:	D-TYPE-21' X 38'E-TPYE-18' X 38'
DT.:	10/06/22

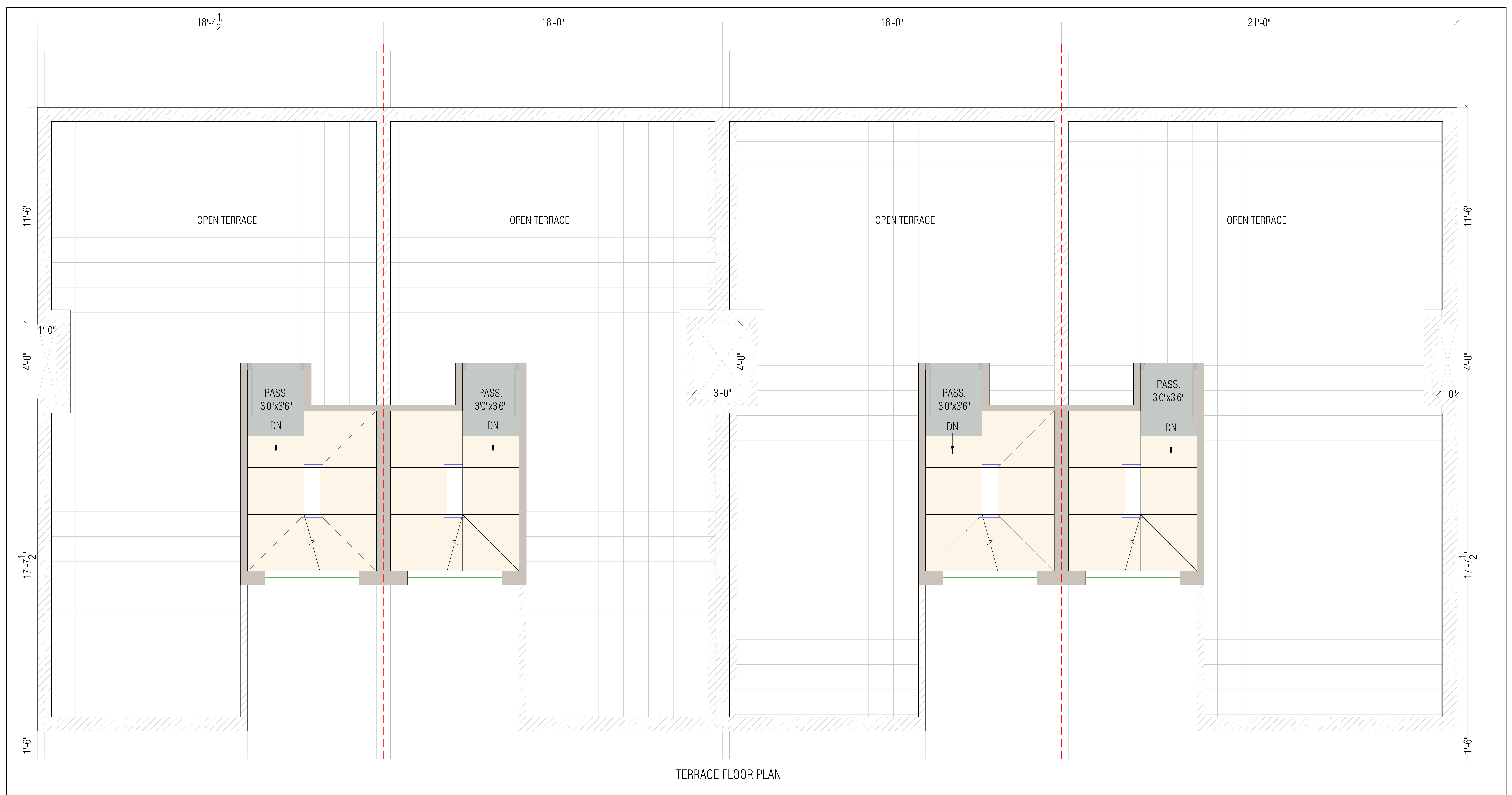


FIRST FLOOR PLAN

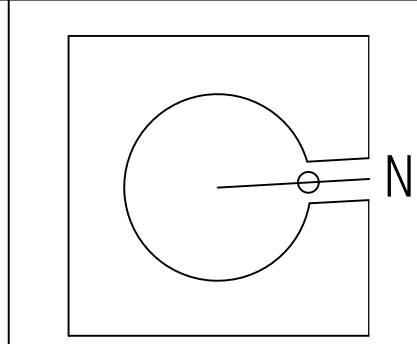
PROPOSED BUNGALOW PLANNING ON
B.NO.-139/3/2, MOJE-ORMA



PLOT NO.	
FLOOR:	FIRST. FL.
BUILDING TYPE:	D-TYPE-21' X 38'E-TPYE-18' X 38'
DT.:	10/06/22



PROPOSED BUNGALOW PLANNING ON
 B.NO.-139/3/2, MOJE-ORMA



PLOT NO.	
FLOOR:	TERRACE. FL.
BUILDING TYPE:	D-TYPE-21' X 38'E-TPYE-18' X 38'
DT.:	10/06/22